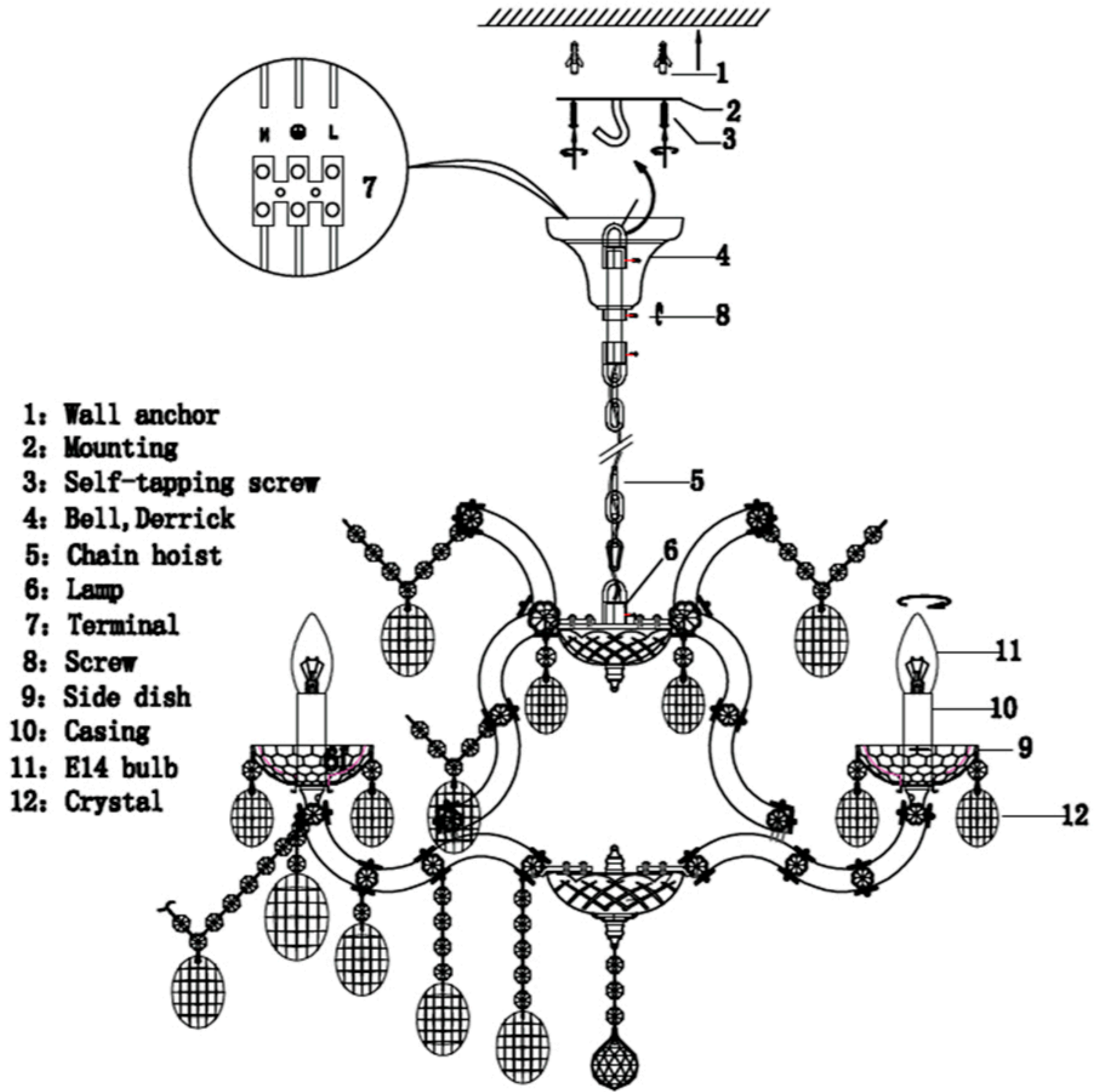
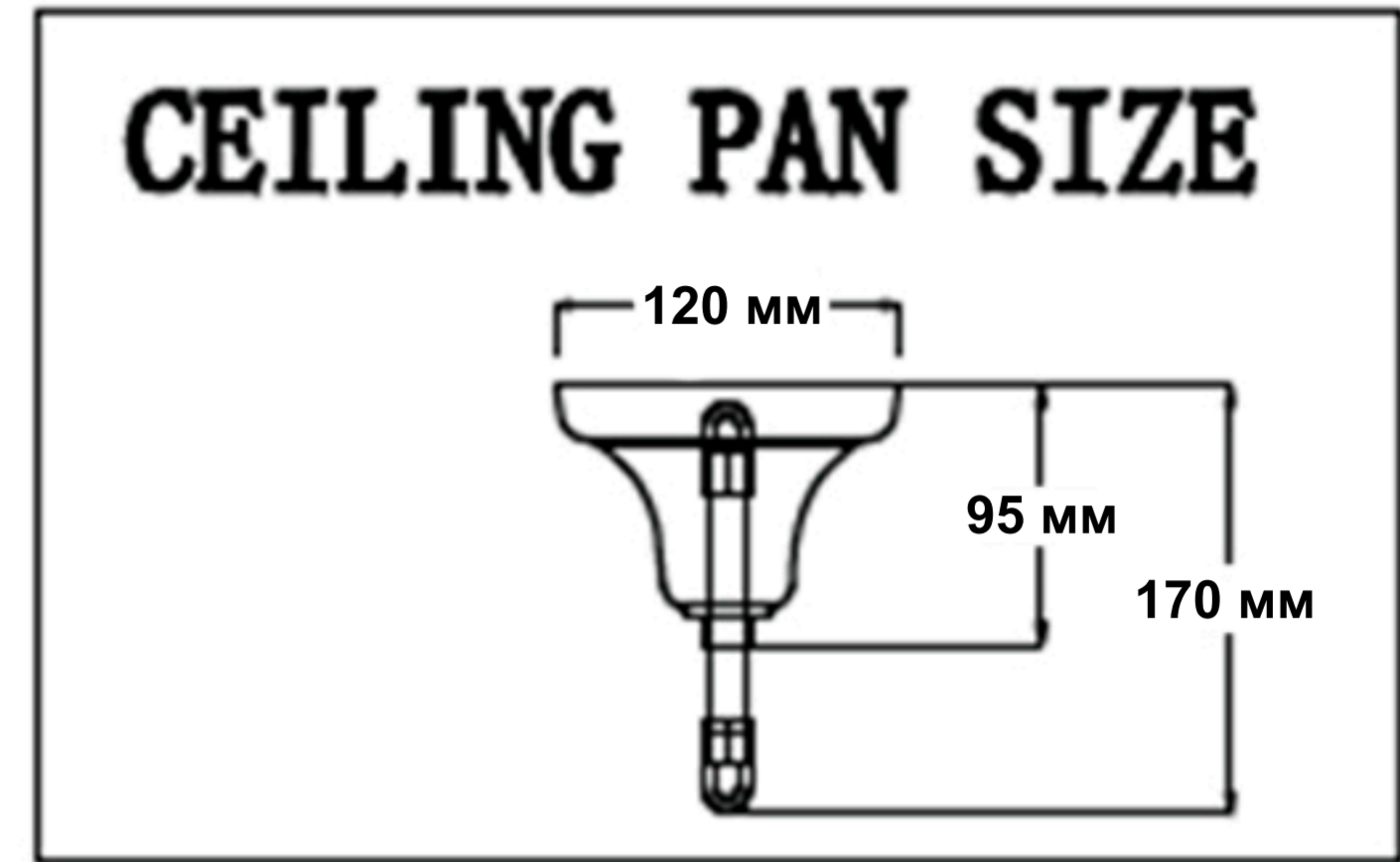


# Инструкция по сборке

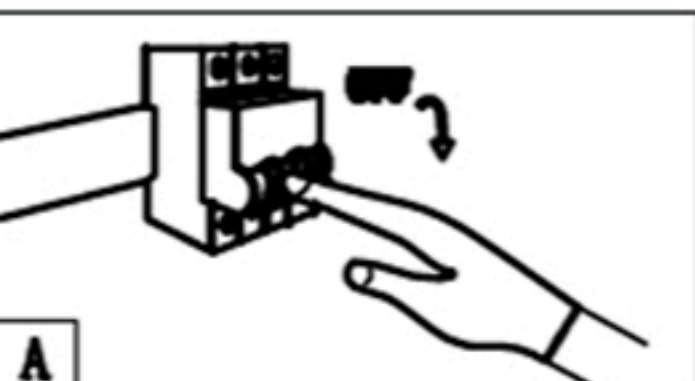
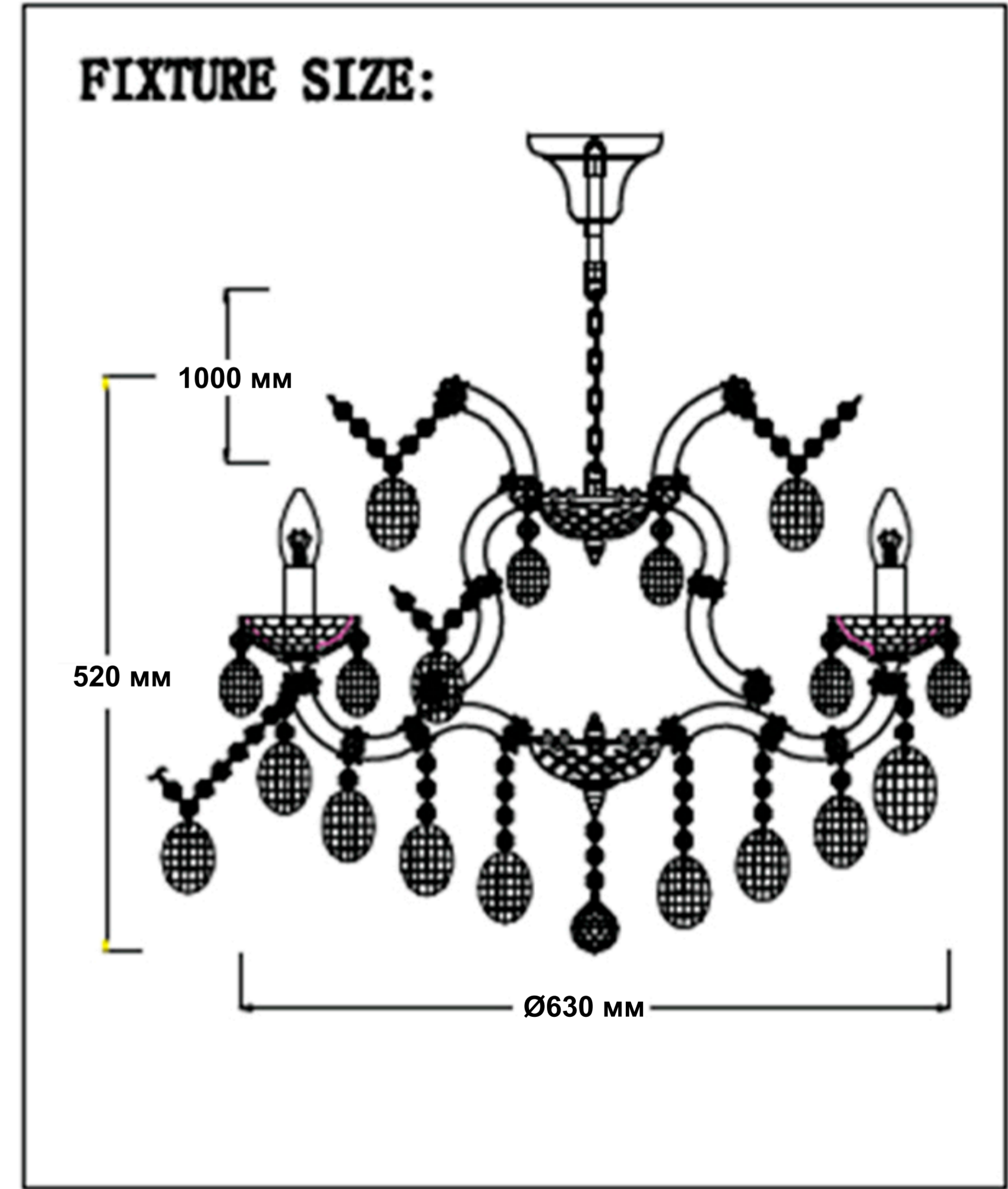
In order to ensure safety use, please notice the following items:

- .Read and understand the whole Specification.
- .Suitable for the use of 220~240v and 50~60Hz.
- .Please wear gloves as installment and avoid rot on the surface of plating.
- .Must be installed on the fixed places and be checked annually.
- .Please turn off the lighting source by soft cloth as cleaning prohibited to use of rotted detergent.
- .Please connect with the local sales service centhr when there are any abnormality.

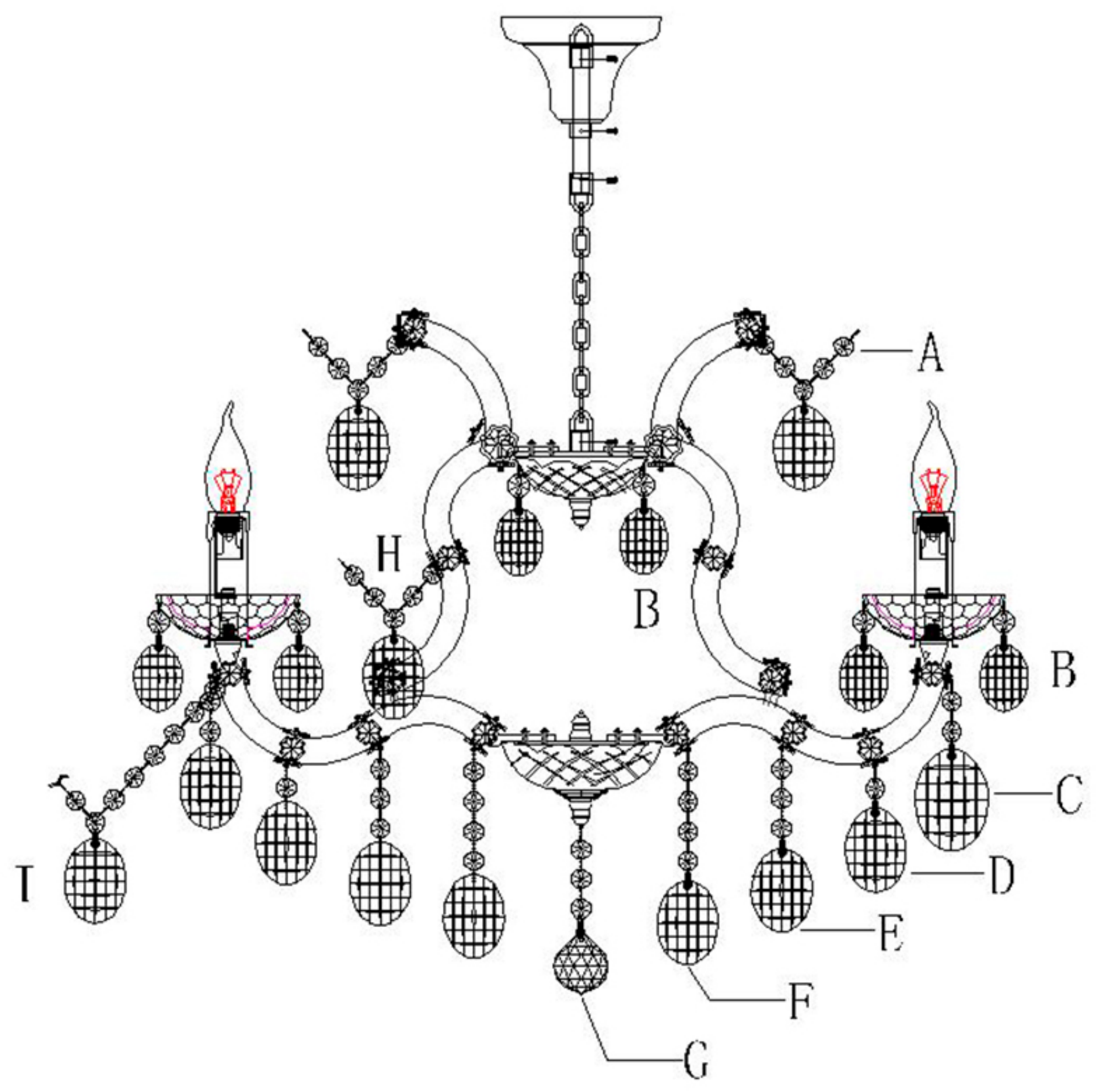
Габаритные размеры:



- 1: Wall anchor
- 2: Mounting
- 3: Self-tapping screw
- 4: Bell, Derrick
- 5: Chain hoist
- 6: Lamp
- 7: Terminal
- 8: Screw
- 9: Side dish
- 10: Casing
- 11: E14 bulb
- 12: Crystal



Наименование артикула: HOLLYWOOD SP6



|   |  |       |
|---|--|-------|
| A |  | 6PCS  |
| B |  | 30PCS |
| C |  | 6PCS  |
| D |  | 6PCS  |
| E |  | 6PCS  |
| F |  | 6PCS  |
| G |  | 1PC   |
| H |  | 6PCS  |
| I |  | 6PCS  |

Наименование артикула: HOLLYWOOD SP6